

Stand profiles

PS 50 / PS 80



Features

- For the fast and simple erection of frames, benches and racks
- Aluminium, naturally anodised
- Produced in accordance with DIN EN 12020-2
- Light, compact & stable
- **Suitable for high loads**
- Our clamped linkages produce very rigid connections, resistant to tension, distortion and bending, between profiles
- Profile cutting upon request
- Extensive range of accessories (see page B-14)

Option: - powder coatings

Technical specifications

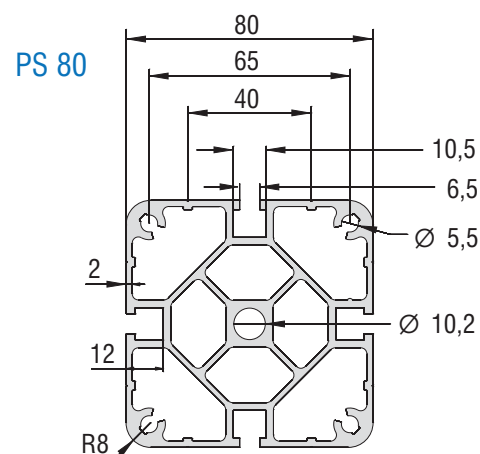
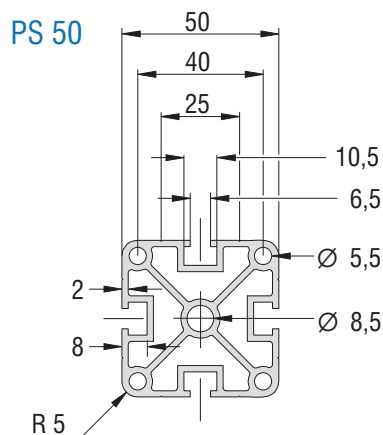
	PS 50	PS 80
Dimensions (W × H)	50 x 50 mm	80 x 80 mm
Length	up to 3 metres (special lengths upon request)	
Weight	approx. 2.3 kg/m	approx. 4.5 kg/m
	4 T-key inserts for M6 sliding nuts 4 cavity inserts, Ø 5.5 mm for M6 Cavity insert, Ø 8.5 mm for M10	4 T-key inserts for M6 sliding nuts 4 cavity inserts, Ø 5.5 mm for M6 Cavity insert, Ø 10.2 mm for M12
Moment of inertia I_x	22.06 cm ⁴	111.8 cm ⁴
Moment of inertia I_y	22.06 cm ⁴	111.8 cm ⁴
Moment of resistance W_x	8.82 cm ³	27.95 cm ³
Moment of resistance W_y	8.82 cm ³	27.95 cm ³

Ordering data

Profile description	Part no.: L=1000 mm Part no.: L=3000 mm*
PS 50 W 50 x H 50 mm	200 003 1000 200 003 3000*
PS 80 W 80 x H 80 mm	200 014 1000 200 014 3000*

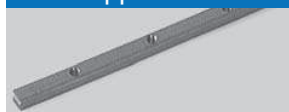
*Raw profile length L=3050 ... 3100 mm

Dimensioned drawings



Accessories

Tapped rails



M6 tapped rail

- 13 x 6 mm
- Galvanised
- M6 Ra 50 mm
- VE 3 units at 1 m
- For PT/RE 40, 65

Part no.: 209010

M6 tapped rail

- 10 x 4 mm
- Galvanised
- M6 Ra 50 mm
- VE 3 units at 1 m
- For all except PT/RE 40, 65/SP

Part no.: 209011

Sliding nuts



M6 sliding nut (Figure 1)

- L25 x W10 x H3.5
- Galvanised
- VE 100 units
- All except PT/RE 40, 65

Part no.: 209001 0005

M6 sliding nut (Figure 1)

- L 25 x W 13 x H 5
- Galvanised
- VE 50 units
- For PT/RE 40, 65

Part no.: 209004 0001

2 x M6 sliding nuts (Figure 2)

- L45 x W10 x H3.5
- Galvanised
- VE 50 units
- For all except PT/RE 40, 65

Part no.: 209002 0004

2 x M6 sliding nuts (Figure 2)

- L 45 x W 13 x H 6
- Galvanised
- 2xM6 Ra 25mm
- VE 25 units
- For PT/RE 40, 65

Part no.: 209005 0001

M5 sliding nut

- L25 x W10 x H3.5
- Galvanised
- VE 20 units
- For all except PT/RE 40, 65

Part no.: 209006 0001

Angle sliding nut

2 x M6 (Figure 3)

- Galvanised
- VE 25 units
- For all except PT/RE 40, 65

Part no.: 209021 0003

Special angle sliding nut

3 x M6 (Figure 4)

- Galvanised
- VE 25 units
- For all except PT/RE 40, 65

Part no.: 209022 0003

Sliding nuts



M5/M6 sliding nuts

- Galvanised
- VE 20 units
- for PT25, PT 50, PS 200, RE 40 and RE 65 (securing only possible at the top) with spring

Part no.: 209005 0002 (M5/Figure 1)

Part no.: 209005 0003 (M6/Figure 2) with large chamfer

Part no.: 209005 0004 (M6/Figure 3) in rhombus shape

Part no.: 209005 0005 (M5/Figure 4)

Part no.: 209005 0006 (M6/Figure 5)

Tension rods



Tension rods SE

- With M6 setting screw
- VE 2 units
- For RE/PT

Part no.: 290051

Clamping devices



Hand lever clamping device

SH 1

- for RE/PT

Part no.: 290001

Hand lever clamping device

SH 2

- For RE/PT

Part no.: 290002

Stop rails



Stop rail (galvanised)

- W 20 x H 10
- Ra 50
- VE 2 units + fixing material

L 125 mm

Part no.: 290021 0125

L 175 mm

Part no.: 290021 0175

L 225 mm

Part no.: 290021 0225

T-keys



M6 T-keyways

- DIN 508
- Hardened
- VE 20 units
- For PT/RE 40, 65

Part no.: 209119 0003

Edging strip



Black edging strip

1-part

- For plate thicknesses 3 - 4 mm
- VE 10 m

Part no.: 209202 0002 (PU profiles)

Part no.: 209202 0001

(PP-/RE- and PS profiles)

PP 50 cross-braces



PP 50 cross-braces

- L 490 mm
- Mitred
- M6 drillings

• for all except PT/RE 40, 65

Part no.: 209300 0000

Hinge strip



Plastic hinge strip

- L 65 x W 40
- VE 10 units + fixing
- Ra 43 x 20 mm
- For PL

Part no.: 209050 0012

Aluminium hinge strip

- L 40 x W 40 mm
- VE 10 units + fixing
- Ra 25 x 25 mm
- For all except PT/RE 40, 65

Part no.: 209050 0011

Accessories

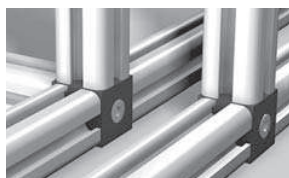
Profile connection cubes



Profile connection cubes black

- VE 10 units + fixing material
- For PU 25

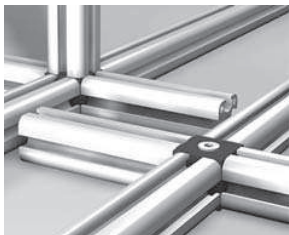
2 x Part no.: **209104 0002**
Part no.: Part no.: **209103 0002**



Profile connection cubes, black

- VE 10 units + fixing material
- For PU 25

Part no.: Part no.: **209106 0002**
Part no.: Part no.: **209107 0002**



Profile connection cubes black

- VE 10 units + fixing material
- For PU 25

Four-fold Part no.: **209108 0002**
Five-fold Part no.: **209109 0002**

T-slot cover



T-slot cover

- VE 30 m
- (turquoise = similar to RAL 5018)
- For all except PT/RE 40, 65

black Part no.: **209201 0004**
turquoise Part no.: **209201 0003**
light grey Part no.: **209201 0007**

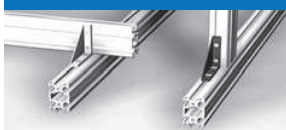
Profile covers



Profile covers, black

- PU 25 - 25 units
Part no.: **209105 0003**
- PU 50 - 25 units
Part no.: **209126 0003**
- PL 40 - 20 units
Part no.: **209127 0003**
- PL 80 - 20 units
Part no.: **209128 0003**
- PS 50 - 25 units
Part no.: **209129 0003**
- PS 80 - 20 units
Part no.: **209130 0003**
- PS 140 - 10 units
Part no.: **209130 1001**

Aluminium corner connector



Aluminium corner connector

- L 25 x W 25 x H 15 mm
 - VE 10 units + fixing material
 - For PL, PS, PU, PP
- natural
Part no.: **209114 0101**
black
Part no.: **209114 0111**

- L 40 x W 40 x H 22 mm
 - VE 10 units + fixing material
 - For PP/PU/PS/PU
- natural
Part no.: **209115 0101**
black
Part no.: **209115 0111**

- L 50 x W 50 x H 15
 - VE 10 units + fixing material
 - For RE/PU/PS
- natural
Part no.: **209116 0101**
black
Part no.: **209116 0111**

- L 80 x W 80 x H 22
 - VE 10 units + fixing material
 - For PP/PU/PS/PU
- natural
Part no.: **209117 0101**
black
Part no.: **209117 0111**

Plastic equipment bases



Plastic equipment bases with rubber plate

- VE 4 units + setting screws
- Black

For PL 40/PS 50
• Ø 60
• M10 x 50 setting screws
Part no.: **209032 0003**

for PL 80 / PS 80
• Ø 80
• M12 x 50 setting screws
Part no.: **209034 0001**

for PL 80 / PS 80
• Ø 120
• Setting screws M12 x 50
• Black
Part no.: **209033 0003**

Guide rollers



Rubber-tired guide rollers Ø 75 (M10)

- VE 4 units
- 2 with and 2 without locking device
- for PL 40/PS 50

Part no.: **209043 0011**

Aluminium equipment bases



Aluminium equipment bases with rubber plate

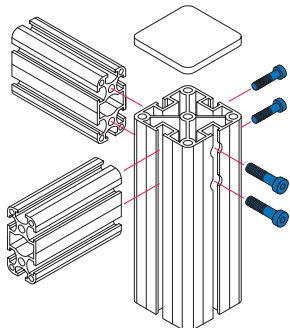
for PU 50
• VE 4 units, with setting screws
and reducing bushings
• Ø 50
• M6 x 30 setting screws
• Natural
Part no.: **209030 0000**

for PS 100/140
• Ø 170
• M16 x 100 setting screws
• Black
Part no.: **209035 0001**

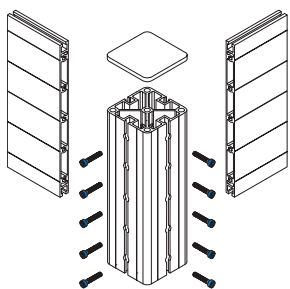
Profile connections

Examples:

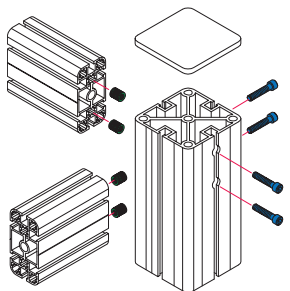
PS 50 with PU 50



PS 50 with PP 250



PS 80 with PL 80



Allen screws

Allen screws
M6 × 25 mm

- VE 10 units
Part no.: **209147 0009**
- VE 50 units
Part no.: **209147 0010**

Allen screws
M6 x 50 mm

- VE 10 units
Part no.: **209147 0003**
- VE 50 units
Part no.: **209147 0004**

Allen key
SW 5

- DIN 911
- VE 1 unit
Part no.: **931152**

Tapped bushings

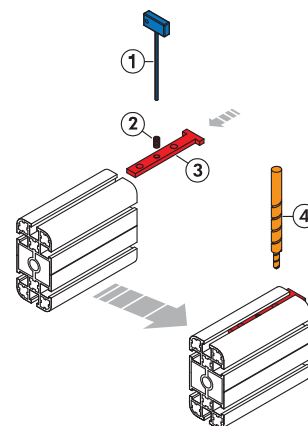
Tapped bushings
M9/M6

- VE 10 units
Part no.: **209147 0001**
- VE 50 units
Part no.: **209147 0002**

Tapped bushings
M10/M6

- VE 10 units
Part no.: **209147 0124**
- VE 50 units
Part no.: **209147 0125**

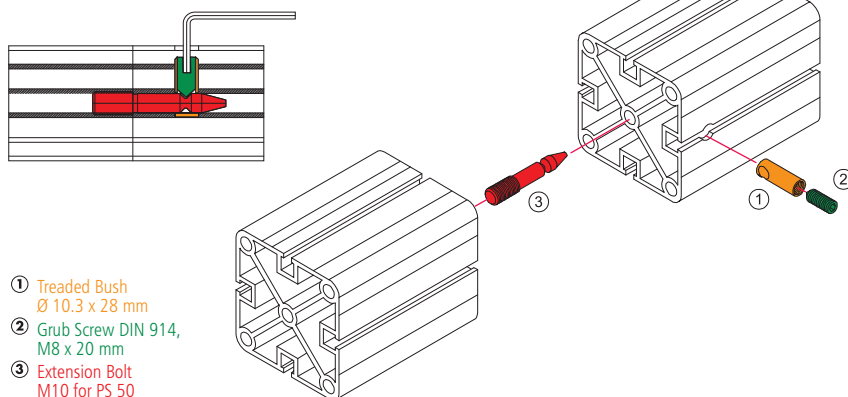
Example PL 80



- ① Hexagon-socket Screwdriver
- ② Grub Screw
- ③ Drilling Template
- ④ Twist Drill
Ø 6 mm / Ø 10.4 mm

Example:

Profile snaplock extension for PS 50



- ① Treaded Bush
Ø 10.3 x 28 mm
- ② Grub Screw DIN 914,
M8 x 20 mm
- ③ Extension Bolt
M10 for PS 50

for PS 50/PL 40 (M10)

- Locking bush, tapped pin, extension bolts
- 10 sets
Part no.: **209147 0120**
- 50 sets
Part no.: **209147 0121**

for PS 80/PL 80 (M12)

- Locking bush, tapped pin, extension bolts
- 10 sets
Part no.: **209147 0122**
- 50 sets
Part no.: **209147 0123**

matching drill pattern 2

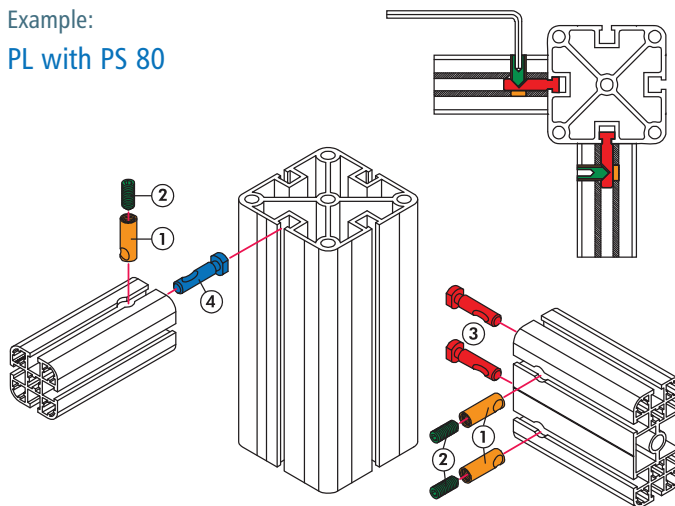
Part no.: **290015 0002**

Stepped drill

- Ø 6/Ø 10.4 mm
Part no.: **400090**

Profile snaplock connections

Example:
PL with PS 80



- ① Treaded Bush \varnothing 10.3 x 28 mm
- ② Grub Screw DIN 914, M6 x 20 mm
- ③ Connection Bolt 0° for PL 40 and PL 80
- ④ Connection Bolt 90° for PL 40 and PL 80

Snaplock connection

for PL

- Locking bush, tapped pin and bolts 0°
- 10 sets:
Part no.: **209147 0102**
- 50 sets:
Part no.: **209147 0103**

for PL

- Locking bush, tapped pin and bolts 90°
- 10 sets:
Part no.: **209147 0112**
- 50 sets:
Part no.: **209147 0113**

for PP/PU

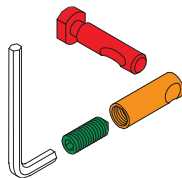
- Locking bush, tapped pin and bolts 0°
- 10 sets:
Part no.: **209147 0100**
- 50 sets:
Part no.: **209147 0101**

for PP/PU

- Locking bush, tapped pin and bolts 90°
- 10 sets:
Part no.: **209147 0110**
- 50 sets:
Part no.: **209147 0111**

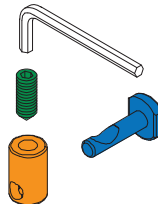
Snaplock
connection
0 degrees

e.g. for
PL / PS 80

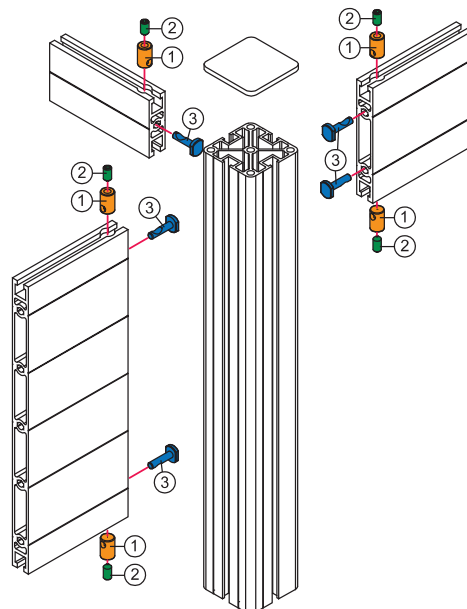


Snaplock
connection
90 degrees

e.g. for
PP / PU / PS



Example:
PP with PS 50



- ① Treaded Bush \varnothing 10.3 x 16,5 mm
- ② Grub Screw DIN 914, M6 x 12 mm
- ③ Connection Bolt 90°

Stepped drill

- \varnothing 6 mm/ \varnothing 10.4 mm
- Part no.: **400090**

matching drill pattern 2

Part no.: **290015 0002**

Allen key

SW 3

- DIN 911
- Part no.: **931150**