

# T-slot plates

# PT 50



## Features

- Universal precision, clamping and machining surface
- Aluminium, naturally anodised
- Produced in accordance with DIN EN 12020-2
- Milled flat on both sides
- For use with any machine
- Thick walled, distortion-free and extremely form-retaining
- Profile cutting upon request
- Extensive range of accessories (see page B-14)

## Technical specifications

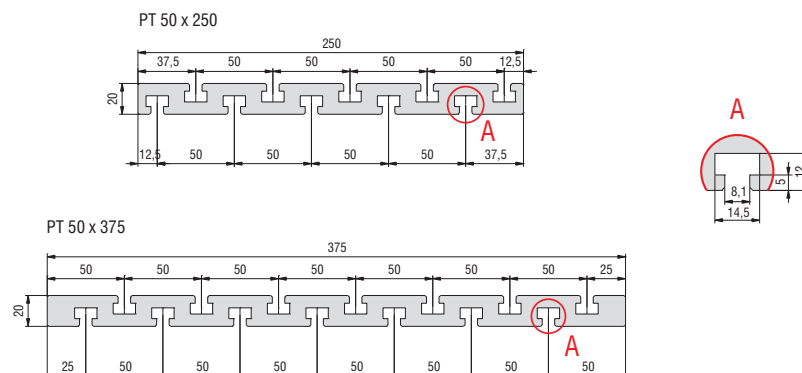
	PT 50	
Dimensions (W × H)	250 x 20 mm	375 x 20 mm
Length	up to 3 metres (special lengths upon request)	
Weight	approx. 10.0 kg/m	approx. 14.8 kg/m
T-slots	both-sided in 50 mm raster	
Moment of inertia $I_x$	2062.99 cm <sup>4</sup>	6745.96 cm <sup>4</sup>
Moment of inertia $I_y$	13.85 cm <sup>4</sup>	20.63 cm <sup>4</sup>
Moment of resistance $W_x$	165.04 cm <sup>3</sup>	359.78 cm <sup>3</sup>
Moment of resistance $W_y$	13.85 cm <sup>3</sup>	20.63 cm <sup>3</sup>

## Ordering data

L [mm]	PT 50	PT 50
	W 250 x H 20 mm	W 375 x H 20 mm
	Part no.	Part no.
400	201 016 0400	201 019 0400
500	201 016 0500	201 019 0500
600	201 016 0600	201 019 0600
700	201 016 0700	201 019 0700
800	201 016 0800	201 019 0800
900	201 016 0900	201 019 0900
1000	201 016 1000	201 019 1000
1100	201 016 1100	201 019 1100
1200	201 016 1200	201 019 1200
1300	201 016 1300	201 019 1300
1400	201 016 1400	201 019 1400
1500	201 016 1500	201 019 1500
1800	201 016 1800	201 019 1800
2000	201 016 2000	201 019 2000
2500	201 016 2500	201 019 2500
3000*	201 016 3000*	201 019 3000*

\*Raw profile length L=3050 ... 3100 mm

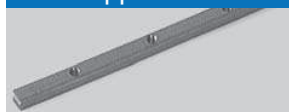
## Maßzeichnungen



T-nuts see accessories for aluminium profiles.

# Accessories

## Tapped rails



### M6 tapped rail

- 13 x 6 mm
- Galvanised
- M6 Ra 50 mm
- VE 3 units at 1 m
- For PT/RE 40, 65

Part no.: 209010

### M6 tapped rail

- 10 x 4 mm
- Galvanised
- M6 Ra 50 mm
- VE 3 units at 1 m
- For all except PT/RE 40, 65/SP

Part no.: 209011

## Sliding nuts



### M6 sliding nut (Figure 1)

- L25 x W10 x H3.5
- Galvanised
- VE 100 units
- All except PT/RE 40, 65

Part no.: 209001 0005

### M6 sliding nut (Figure 1)

- L 25 x W 13 x H 5
- Galvanised
- VE 50 units
- For PT/RE 40, 65

Part no.: 209004 0001

### 2 x M6 sliding nuts (Figure 2)

- L45 x W10 x H3.5
- Galvanised
- VE 50 units
- For all except PT/RE 40, 65

Part no.: 209002 0004

### 2 x M6 sliding nuts (Figure 2)

- L 45 x W 13 x H 6
- Galvanised
- 2xM6 Ra 25mm
- VE 25 units
- For PT/RE 40, 65

Part no.: 209005 0001

### M5 sliding nut

- L25 x W10 x H3.5
- Galvanised
- VE 20 units
- For all except PT/RE 40, 65

Part no.: 209006 0001

### Angle sliding nut

#### 2 x M6 (Figure 3)

- Galvanised
- VE 25 units
- For all except PT/RE 40, 65

Part no.: 209021 0003

### Special angle sliding nut

#### 3 x M6 (Figure 4)

- Galvanised
- VE 25 units
- For all except PT/RE 40, 65

Part no.: 209022 0003

## Sliding nuts



### M5/M6 sliding nuts

- Galvanised
- VE 20 units
- for PT25, PT 50, PS 200, RE 40 and RE 65 (securing only possible at the top) with spring

Part no.: 209005 0002 (M5/Figure 1)

Part no.: 209005 0003 (M6/Figure 2) with large chamfer

Part no.: 209005 0004 (M6/Figure 3) in rhombus shape

Part no.: 209005 0005 (M5/Figure 4)

Part no.: 209005 0006 (M6/Figure 5)

## Tension rods



### Tension rods SE

- With M6 setting screw
- VE 2 units
- For RE/PT

Part no.: 290051

## Clamping devices



### Hand lever clamping device

#### SH 1

- for RE/PT

Part no.: 290001

### Hand lever clamping device

#### SH 2

- For RE/PT

Part no.: 290002

## Stop rails



### Stop rail (galvanised)

- W 20 x H 10 • Ra 50
- VE 2 units + fixing material

L 125 mm

Part no.: 290021 0125

L 175 mm

Part no.: 290021 0175

L 225 mm

Part no.: 290021 0225

## T-keys



### M6 T-keyways

- DIN 508
- Hardened
- VE 20 units
- For PT/RE 40, 65

Part no.: 209119 0003

## Edging strip



### Black edging strip

#### 1-part

- For plate thicknesses 3 - 4 mm
- VE 10 m

Part no.: 209202 0002 (PU profiles)

Part no.: 209202 0001

(PP-/RE- and PS profiles)

## PP 50 cross-braces



### PP 50 cross-braces

- L 490 mm
- Mitred
- M6 drillings

• for all except PT/RE 40, 65

Part no.: 209300 0000

## Hinge strip



### Plastic hinge strip

- L 65 x W 40
- VE 10 units + fixing
- Ra 43 x 20 mm
- For PL

Part no.: 209050 0012

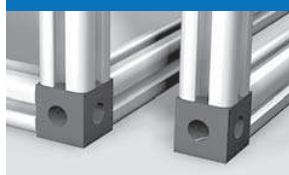
### Aluminium hinge strip

- L 40 x W 40 mm
- VE 10 units + fixing
- Ra 25 x 25 mm
- For all except PT/RE 40, 65

Part no.: 209050 0011

# Accessories

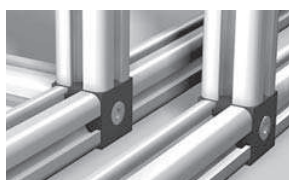
## Profile connection cubes



### Profile connection cubes black

- VE 10 units + fixing material
- For PU 25

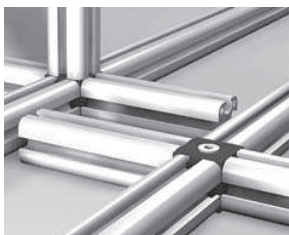
2 x Part no.: **209104 0002**  
Part no.: Part no.: **209103 0002**



### Profile connection cubes, black

- VE 10 units + fixing material
- For PU 25

Part no.: Part no.: **209106 0002**  
Part no.: Part no.: **209107 0002**



### Profile connection cubes black

- VE 10 units + fixing material
- For PU 25

Four-fold Part no.: **209108 0002**  
Five-fold Part no.: **209109 0002**

## T-slot cover



### T-slot cover

- VE 30 m
- (turquoise = similar to RAL 5018)
- For all except PT/RE 40, 65

black Part no.: **209201 0004**  
turquoise Part no.: **209201 0003**  
light grey Part no.: **209201 0007**

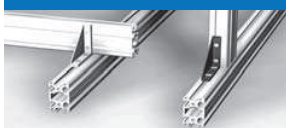
## Profile covers



### Profile covers, black

- PU 25 - 25 units  
Part no.: **209105 0003**
- PU 50 - 25 units  
Part no.: **209126 0003**
- PL 40 - 20 units  
Part no.: **209127 0003**
- PL 80 - 20 units  
Part no.: **209128 0003**
- PS 50 - 25 units  
Part no.: **209129 0003**
- PS 80 - 20 units  
Part no.: **209130 0003**
- PS 140 - 10 units  
Part no.: **209130 1001**

## Aluminium corner connector



### Aluminium corner connector

- L 25 x W 25 x H 15 mm
- VE 10 units + fixing material
- For PL, PS, PU, PP
- natural  
Part no.: **209114 0101**
- black  
Part no.: **209114 0111**
- L 40 x W 40 x H 22 mm
- VE 10 units + fixing material
- For PP/PU/PS/PU
- natural  
Part no.: **209115 0101**
- black  
Part no.: **209115 0111**
- L 50 x W 50 x H 15
- VE 10 units + fixing material
- For RE/PU/PS
- natural  
Part no.: **209116 0101**
- black  
Part no.: **209116 0111**
- L 80 x W 80 x H 22
- VE 10 units + fixing material
- For PP/PU/PS/PU
- natural  
Part no.: **209117 0101**
- black  
Part no.: **209117 0111**

## Plastic equipment bases



### Plastic equipment bases with rubber plate

- VE 4 units + setting screws
- Black

For PL 40/PS 50

- Ø 60
- M10 x 50 setting screws
- Part no.: **209032 0003**

for PL 80 / PS 80

- Ø 80
- M12 x 50 setting screws
- Part no.: **209034 0001**

for PL 80 / PS 80

- Ø 120
- Setting screws M12 x 50
- Black
- Part no.: **209033 0003**

## Guide rollers



### Rubber-tired guide rollers Ø 75 (M10)

- VE 4 units
- 2 with and 2 without locking device
- for PL 40/PS 50

Part no.: **209043 0011**

## Aluminium equipment bases



### Aluminium equipment bases with rubber plate

- for PU 50
- VE 4 units, with setting screws and reducing bushings
  - Ø 50
  - M6 x 30 setting screws
  - Natural
  - Part no.: **209030 0000**

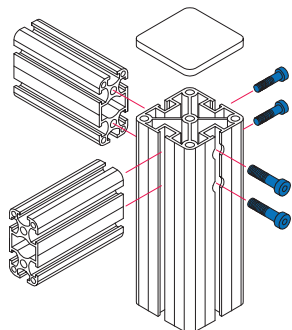
for PS 100/140

- Ø 170
- M16 x 100 setting screws
- Black
- Part no.: **209035 0001**

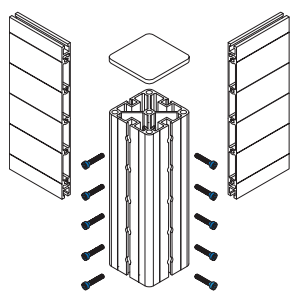
# Profile connections

Examples:

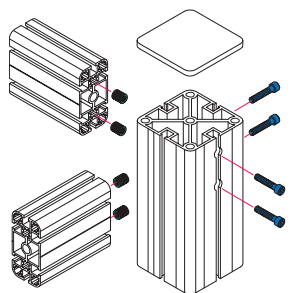
## PS 50 with PU 50



## PS 50 with PP 250



## PS 80 with PL 80



### Allen screws

Allen screws  
M6 × 25 mm

- VE 10 units  
Part no.: **209147 0009**
- VE 50 units  
Part no.: **209147 0010**

Allen screws  
M6 x 50 mm

- VE 10 units  
Part no.: **209147 0003**
- VE 50 units  
Part no.: **209147 0004**

Allen key  
SW 5

- DIN 911
- VE 1 unit  
Part no.: **931152**

### Tapped bushings

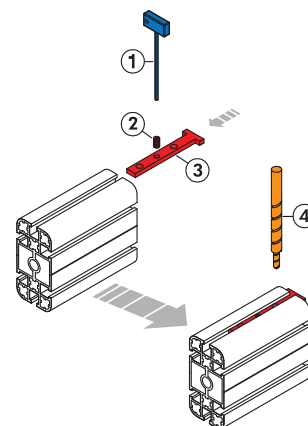
Tapped bushings  
M9/M6

- VE 10 units  
Part no.: **209147 0001**
- VE 50 units  
Part no.: **209147 0002**

Tapped bushings  
M10/M6

- VE 10 units  
Part no.: **209147 0124**
- VE 50 units  
Part no.: **209147 0125**

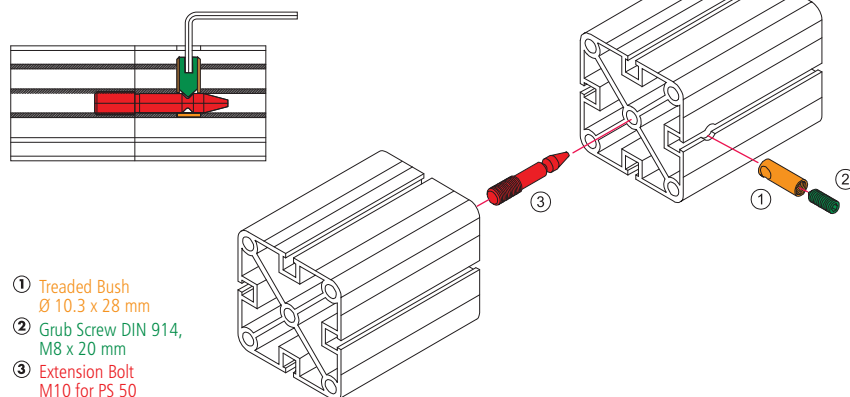
### Example PL 80



- ① Hexagon-socket Screwdriver
- ② Grub Screw
- ③ Drilling Template
- ④ Twist Drill  
Ø 6 mm / Ø 10.4 mm

Example:

## Profile snaplock extension for PS 50



- ① Threaded Bush  
Ø 10.3 x 28 mm
- ② Grub Screw DIN 914,  
M8 x 20 mm
- ③ Extension Bolt  
M10 for PS 50

### for PS 50/PL 40 (M10)

- Locking bush, tapped pin, extension bolts
- 10 sets  
Part no.: **209147 0120**
- 50 sets  
Part no.: **209147 0121**

### for PS 80/PL 80 (M12)

- Locking bush, tapped pin, extension bolts
- 10 sets  
Part no.: **209147 0122**
- 50 sets  
Part no.: **209147 0123**

### matching drill pattern 2

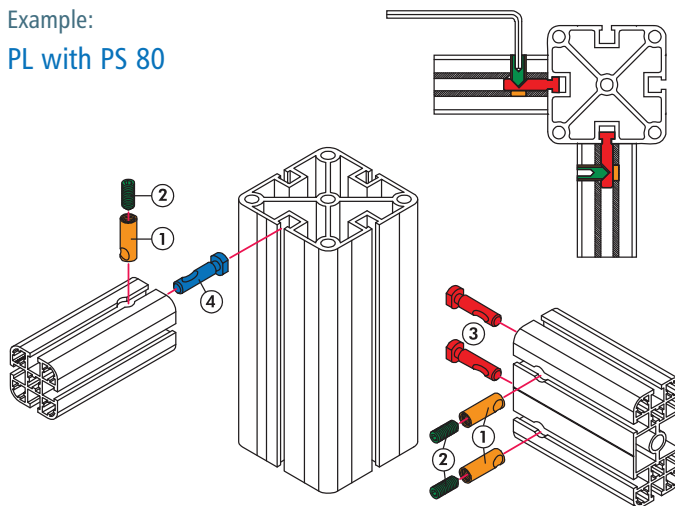
Part no.: **290015 0002**

### Stepped drill

- Ø 6/Ø 10.4 mm  
Part no.: **400090**

# Profile snaplock connections

Example:  
PL with PS 80



- ① Treaded Bush  $\varnothing$  10.3 x 28 mm
- ② Grub Screw DIN 914, M6 x 20 mm
- ③ Connection Bolt 0° for PL 40 and PL 80
- ④ Connection Bolt 90° for PL 40 and PL 80

## Snaplock connection

for PL

- Locking bush, tapped pin and bolts 0°
- 10 sets:  
Part no.: **209147 0102**
- 50 sets:  
Part no.: **209147 0103**

for PL

- Locking bush, tapped pin and bolts 90°
- 10 sets:  
Part no.: **209147 0112**
- 50 sets:  
Part no.: **209147 0113**

for PP/PU

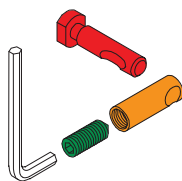
- Locking bush, tapped pin and bolts 0°
- 10 sets:  
Part no.: **209147 0100**
- 50 sets:  
Part no.: **209147 0101**

for PP/PU

- Locking bush, tapped pin and bolts 90°
- 10 sets:  
Part no.: **209147 0110**
- 50 sets:  
Part no.: **209147 0111**

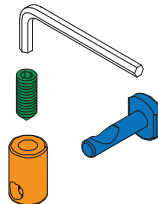
Snaplock  
connection  
0 degrees

e.g. for  
PL / PS 80

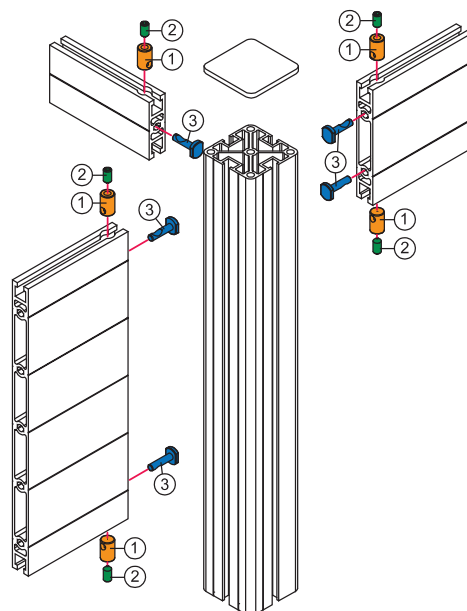


Snaplock  
connection  
90 degrees

e.g. for  
PP / PU / PS



Example:  
PP with PS 50



- ① Treaded Bush  $\varnothing$  10.3 x 16,5 mm
- ② Grub Screw DIN 914, M6 x 12 mm
- ③ Connection Bolt 90°

Stepped drill

- $\varnothing$  6 mm/ $\varnothing$  10.4 mm
- Part no.: **400090**

matching drill pattern 2

Part no.: **290015 0002**

Allen key

SW 3

- DIN 911
- Part no.: **931150**