

# Rectangular profiles

## RE 65



### Features

- Universal precision, clamping and machining surface
- As a stabiliser for machine and subframe constructions
- Aluminium, naturally anodised
- Produced in accordance with DIN EN 12020-2
- Light & very stable
- Milled flat on both sides
- Numerous applications with the accessories are possible
- Profile cutting upon request
- Extensive range of accessories (see page B-14)

### Technical specifications

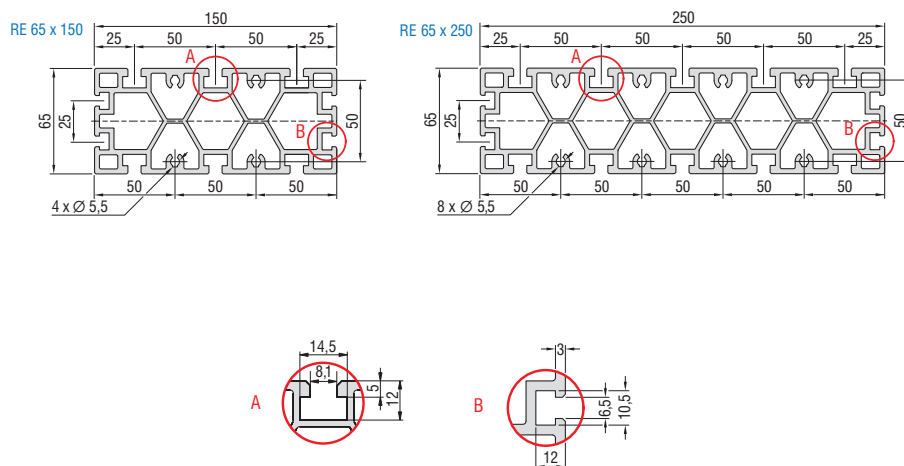
	RE 65	
	150 x 65 mm	250 x 65 mm
Dimensions (W × H)	150 x 65 mm	250 x 65 mm
Length	up to 3 metres (special lengths to order)	
Weight	approx. 7.7 kg/m	approx. 12.4 kg/m
	various cavities and T-key inserts for sliding nuts or M6 tapped strips for frontal inserts for M6 screws	
Moment of inertia $I_x$	633.47 cm <sup>4</sup>	2,658.48 cm <sup>4</sup>
Moment of inertia $I_y$	148.87 cm <sup>4</sup>	243.85 cm <sup>4</sup>
Moment of resistance $W_x$	84.46 cm <sup>3</sup>	212.68 cm <sup>3</sup>
Moment of resistance $W_y$	45.83 cm <sup>3</sup>	75.03 cm <sup>3</sup>

### Ordering data

Profile description	Part no.: L=1000 mm
	Part no.: L=3000 mm*
RE 65 W 150 x H 65 mm	201 034 1000 201 034 3000*
RE 65 W 250 x H 65 mm	201 032 1000 201 032 3000*

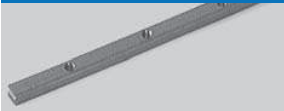
\*Raw profile length L=3050 ... 3100 mm

### Dimensioned drawings



# Accessories

## Tapped rails



### M6 tapped rail

- 13 x 6 mm
- Galvanised
- M6 Ra 50 mm
- VE 3 units at 1 m
- For PT/RE 40, 65

Part no.: 209010

### M6 tapped rail

- 10 x 4 mm
- Galvanised
- M6 Ra 50 mm
- VE 3 units at 1 m
- For all except PT/RE 40, 65/SP

Part no.: 209011

## Sliding nuts



### M6 sliding nut (Figure 1)

- L25 x W10 x H3.5
- Galvanised
- VE 100 units
- All except PT/RE 40, 65

Part no.: 209001 0005

### M6 sliding nut (Figure 1)

- L 25 x W 13 x H 5
- Galvanised
- VE 50 units
- For PT/RE 40, 65

Part no.: 209004 0001

### 2 x M6 sliding nuts (Figure 2)

- L45 x W10 x H3.5
- Galvanised
- VE 50 units
- For all except PT/RE 40, 65

Part no.: 209002 0004

### 2 x M6 sliding nuts (Figure 2)

- L 45 x W 13 x H 6
- Galvanised
- 2xM6 Ra 25mm
- VE 25 units
- For PT/RE 40, 65

Part no.: 209005 0001

### M5 sliding nut

- L25 x W10 x H3.5
- Galvanised
- VE 20 units
- For all except PT/RE 40, 65

Part no.: 209006 0001

### Angle sliding nut

#### 2 x M6 (Figure 3)

- Galvanised
- VE 25 units
- For all except PT/RE 40, 65

Part no.: 209021 0003

### Special angle sliding nut

#### 3 x M6 (Figure 4)

- Galvanised
- VE 25 units
- For all except PT/RE 40, 65

Part no.: 209022 0003

## Sliding nuts



### M5/M6 sliding nuts

- Galvanised
- VE 20 units
- for PT25, PT 50, PS 200, RE 40 and RE 65 (securing only possible at the top) with spring

Part no.: 209005 0002 (M5/Figure 1)

Part no.: 209005 0003 (M6/Figure 2) with large chamfer

Part no.: 209005 0004 (M6/Figure 3) in rhombus shape

Part no.: 209005 0005 (M5/Figure 4)

Part no.: 209005 0006 (M6/Figure 5)

## Tension rods



### Tension rods SE

- With M6 setting screw
- VE 2 units
- For RE/PT

Part no.: 290051

## Clamping devices



### Hand lever clamping device

#### SH 1

- for RE/PT

Part no.: 290001

### Hand lever clamping device

#### SH 2

- For RE/PT

Part no.: 290002

## Stop rails



### Stop rail (galvanised)

- W 20 x H 10 • Ra 50
- VE 2 units + fixing material

L 125 mm

Part no.: 290021 0125

L 175 mm

Part no.: 290021 0175

L 225 mm

Part no.: 290021 0225

## T-keys



### M6 T-keyways

- DIN 508
- Hardened
- VE 20 units
- For PT/RE 40, 65

Part no.: 209119 0003

## Edging strip



### Black edging strip 1-part

- For plate thicknesses 3 - 4 mm
- VE 10 m

Part no.: 209202 0002 (PU profiles)

Part no.: 209202 0001

(PP-/RE- and PS profiles)

## PP 50 cross-braces



### PP 50 cross-braces

- L 490 mm
- Mitred
- M6 drillings

• for all except PT/RE 40, 65

Part no.: 209300 0000

## Hinge strip



### Plastic hinge strip

- L 65 x W 40
- VE 10 units + fixing
- Ra 43 x 20 mm
- For PL

Part no.: 209050 0012

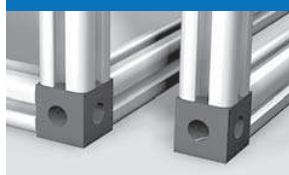
### Aluminium hinge strip

- L 40 x W 40 mm
- VE 10 units + fixing
- Ra 25 x 25 mm
- For all except PT/RE 40, 65

Part no.: 209050 0011

# Accessories

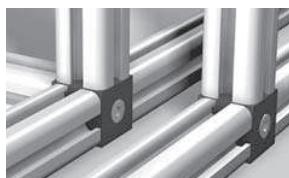
## Profile connection cubes



### Profile connection cubes black

- VE 10 units + fixing material
- For PU 25

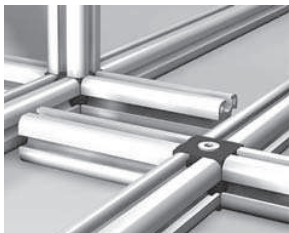
2 x Part no.: **209104 0002**  
Part no.: Part no.: **209103 0002**



### Profile connection cubes, black

- VE 10 units + fixing material
- For PU 25

Part no.: Part no.: **209106 0002**  
Part no.: Part no.: **209107 0002**



### Profile connection cubes black

- VE 10 units + fixing material
- For PU 25

Four-fold Part no.: **209108 0002**  
Five-fold Part no.: **209109 0002**

## T-slot cover



### T-slot cover

- VE 30 m
- (turquoise = similar to RAL 5018)
- For all except PT/RE 40, 65

black Part no.: **209201 0004**  
turquoise Part no.: **209201 0003**  
light grey Part no.: **209201 0007**

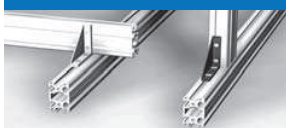
## Profile covers



### Profile covers, black

- PU 25 - 25 units  
Part no.: **209105 0003**
- PU 50 - 25 units  
Part no.: **209126 0003**
- PL 40 - 20 units  
Part no.: **209127 0003**
- PL 80 - 20 units  
Part no.: **209128 0003**
- PS 50 - 25 units  
Part no.: **209129 0003**
- PS 80 - 20 units  
Part no.: **209130 0003**
- PS 140 - 10 units  
Part no.: **209130 1001**

## Aluminium corner connector



### Aluminium corner connector

- L 25 x W 25 x H 15 mm
- VE 10 units + fixing material
- For PL, PS, PU, PP
- natural  
Part no.: **209114 0101**
- black  
Part no.: **209114 0111**
- L 40 x W 40 x H 22 mm
- VE 10 units + fixing material
- For PP/PU/PS/PU
- natural  
Part no.: **209115 0101**
- black  
Part no.: **209115 0111**
- L 50 x W 50 x H 15
- VE 10 units + fixing material
- For RE/PU/PS
- natural  
Part no.: **209116 0101**
- black  
Part no.: **209116 0111**
- L 80 x W 80 x H 22
- VE 10 units + fixing material
- For PP/PU/PS/PU
- natural  
Part no.: **209117 0101**
- black  
Part no.: **209117 0111**

## Plastic equipment bases



### Plastic equipment bases with rubber plate

- VE 4 units + setting screws
- Black

For PL 40/PS 50

- Ø 60
- M10 x 50 setting screws
- Part no.: **209032 0003**

for PL 80 / PS 80

- Ø 80
- M12 x 50 setting screws
- Part no.: **209034 0001**

for PL 80 / PS 80

- Ø 120
- Setting screws M12 x 50
- Black
- Part no.: **209033 0003**

## Guide rollers



### Rubber-tired guide rollers Ø 75 (M10)

- VE 4 units
- 2 with and 2 without locking device
- for PL 40/PS 50

Part no.: **209043 0011**

## Aluminium equipment bases



### Aluminium equipment bases with rubber plate

- for PU 50
- VE 4 units, with setting screws and reducing bushings
  - Ø 50
  - M6 x 30 setting screws
  - Natural
  - Part no.: **209030 0000**

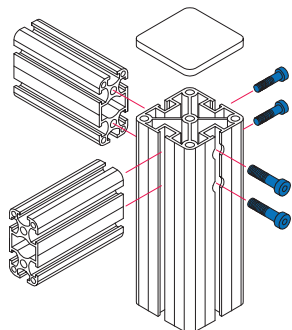
for PS 100/140

- Ø 170
- M16 x 100 setting screws
- Black
- Part no.: **209035 0001**

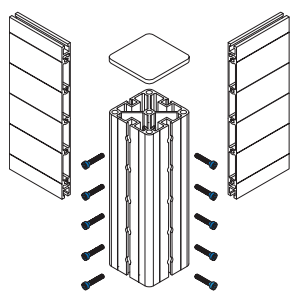
# Profile connections

Examples:

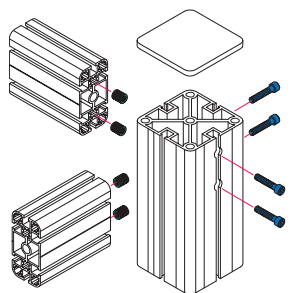
## PS 50 with PU 50



## PS 50 with PP 250



## PS 80 with PL 80



### Allen screws

Allen screws  
M6 × 25 mm

- VE 10 units  
Part no.: **209147 0009**
- VE 50 units  
Part no.: **209147 0010**

Allen screws  
M6 x 50 mm

- VE 10 units  
Part no.: **209147 0003**
- VE 50 units  
Part no.: **209147 0004**

Allen key  
SW 5

- DIN 911
- VE 1 unit  
Part no.: **931152**

### Tapped bushings

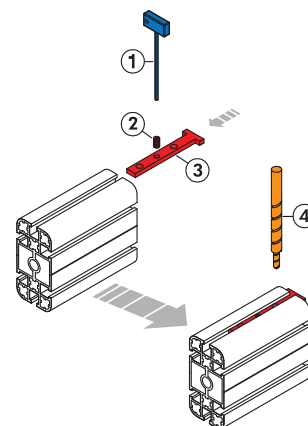
Tapped bushings  
M9/M6

- VE 10 units  
Part no.: **209147 0001**
- VE 50 units  
Part no.: **209147 0002**

Tapped bushings  
M10/M6

- VE 10 units  
Part no.: **209147 0124**
- VE 50 units  
Part no.: **209147 0125**

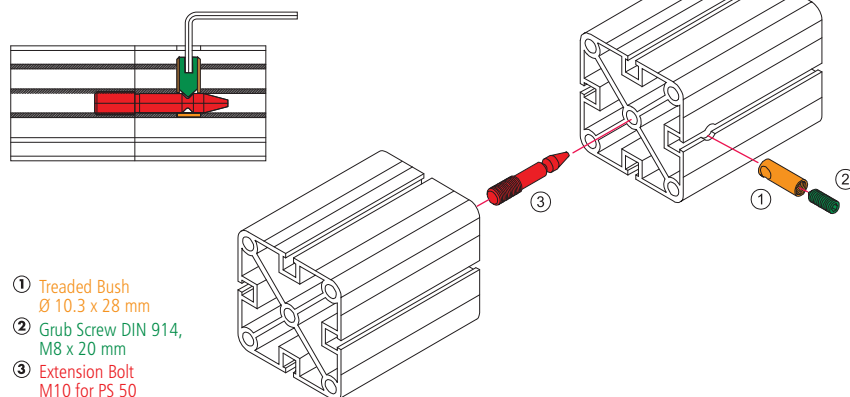
### Example PL 80



- ① Hexagon-socket screwdriver
- ② Grub screw
- ③ Drilling template
- ④ Twist Drill  
Ø 6 mm / Ø 10.4 mm

Example:

## Profile snaplock extension for PS 50



- ① Threaded Bush  
Ø 10.3 x 28 mm
- ② Grub Screw DIN 914,  
M8 x 20 mm
- ③ Extension Bolt  
M10 for PS 50

### for PS 50/PL 40 (M10)

- Locking bush, tapped pin, extension bolts
- 10 sets  
Part no.: **209147 0120**
- 50 sets  
Part no.: **209147 0121**

### for PS 80/PL 80 (M12)

- Locking bush, tapped pin, extension bolts
- 10 sets  
Part no.: **209147 0122**
- 50 sets  
Part no.: **209147 0123**

### matching drill pattern 2

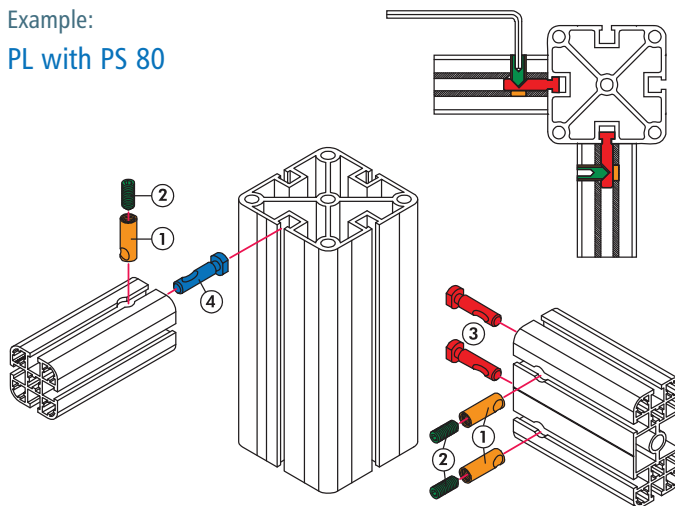
Part no.: **290015 0002**

### Stepped drill

- Ø 6/Ø 10.4 mm  
Part no.: **400090**

# Profile snaplock connections

Example:  
PL with PS 80



- ① Treaded Bush  $\varnothing$  10.3 x 28 mm
- ② Grub Screw DIN 914, M6 x 20 mm
- ③ Connection Bolt 0° for PL 40 and PL 80
- ④ Connection Bolt 90° for PL 40 and PL 80

## Snaplock connection

for PL

- Locking bush, tapped pin and bolts 0°
- 10 sets:  
Part no.: **209147 0102**
- 50 sets:  
Part no.: **209147 0103**

for PL

- Locking bush, tapped pin and bolts 90°
- 10 sets:  
Part no.: **209147 0112**
- 50 sets:  
Part no.: **209147 0113**

for PP/PU

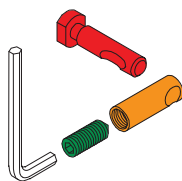
- Locking bush, tapped pin and bolts 0°
- 10 sets:  
Part no.: **209147 0100**
- 50 sets:  
Part no.: **209147 0101**

for PP/PU

- Locking bush, tapped pin and bolts 90°
- 10 sets:  
Part no.: **209147 0110**
- 50 sets:  
Part no.: **209147 0111**

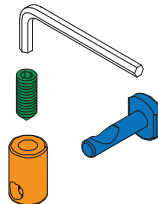
Snaplock  
connection  
0 degrees

e.g. for  
PL / PS 80

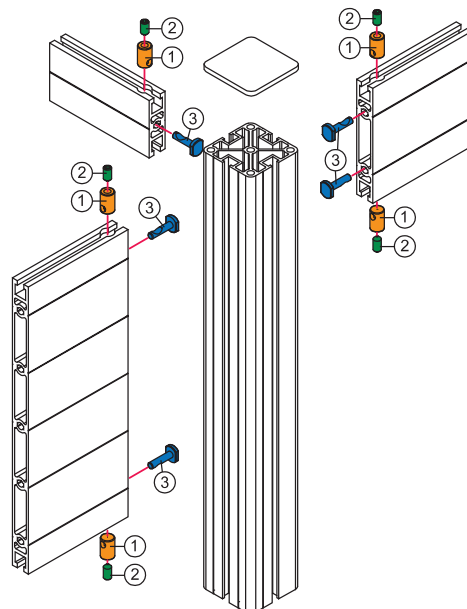


Snaplock  
connection  
90 degrees

e.g. for  
PP / PU / PS



Example:  
PP with PS 50



- ① Treaded Bush  $\varnothing$  10.3 x 16,5 mm
- ② Grub Screw DIN 914, M6 x 12 mm
- ③ Connection Bolt 90°

Stepped drill

- $\varnothing$  6 mm/ $\varnothing$  10.4 mm
- Part no.: **400090**

matching drill pattern 2

Part no.: **290015 0002**

Allen key

SW 3

- DIN 911
- Part no.: **931150**